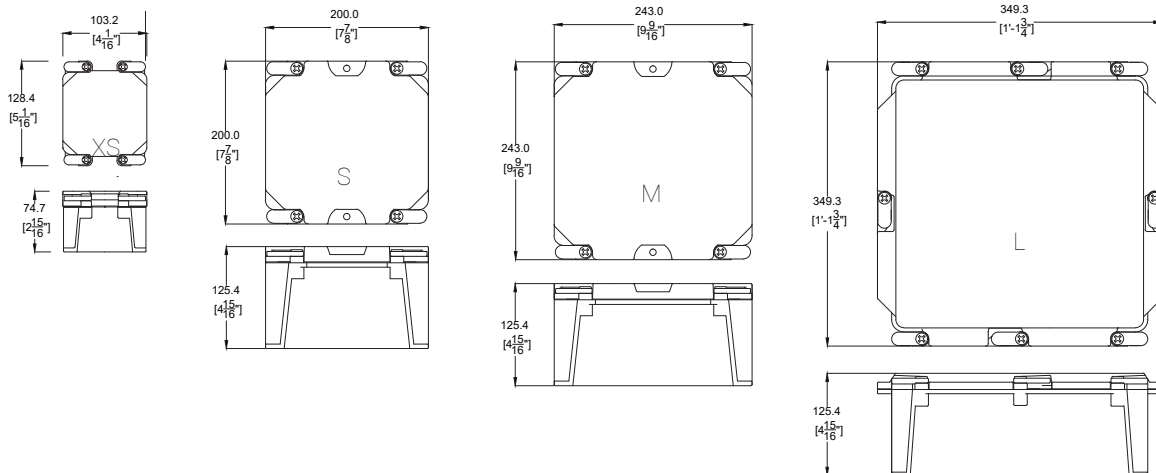
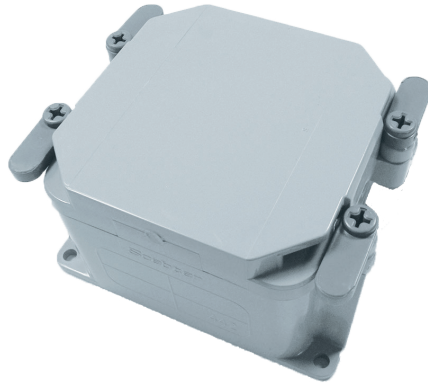


Project Name: _____
 Client: _____
 Type: _____
 Quantity: _____

PVC ENCLOSURE

BL-ENC-PVC-XX



Mechanical

Construction	PVC
Nema	Type 1, 2, 3R, 4, 4X, 6, 6P, 12, 13
Box Volume	XS - 25.55 cu.in (419 ml) S - 172.05 cu.in (2,819 ml) M - 293.19 cu.in (4,805 ml) L - 548.26 cu.in (8,984 ml)
Weight	XS - 356g (0.785 lb) S - 922 g (2 lb) M - 1.5 kg (3.3 lb) L - 3.3 kg (7.3 lb)
Fastener Tool	#2 Phillips screwdriver
Certification	UL 50/50E, CSA 94.1/94.2, CSA C22.2 No.85, CSA C22.2 No.40

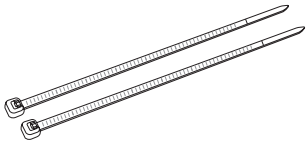
Applications

- Indoors or Outdoors - Wet or Dry locations
- Housing for LED Driver, Controller, or Surge Protector
- Not Suitable for Submersion

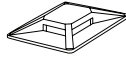
Surge protection is highly recommended for all LED lighting products and should be on a designated circuit to protect against premature failure
 Lack of surge protection may void your warranty
 Specifications may change without notice

Accessories

Zip Tie



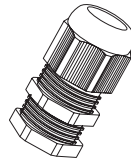
Mounting Base



Wire Nut



Strain Relieve



Back Plate

